

4

3

2

1

REVISIONS

ZONE	REV.	DESCRIPTION	DATE	APPR.

D

D

C

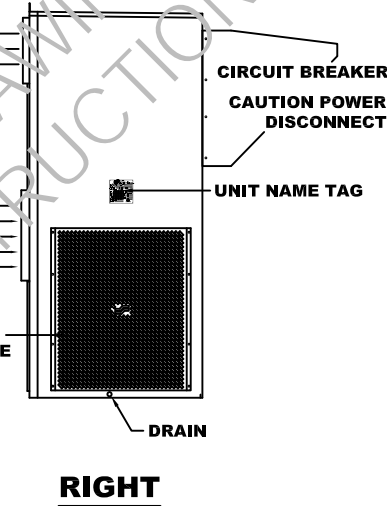
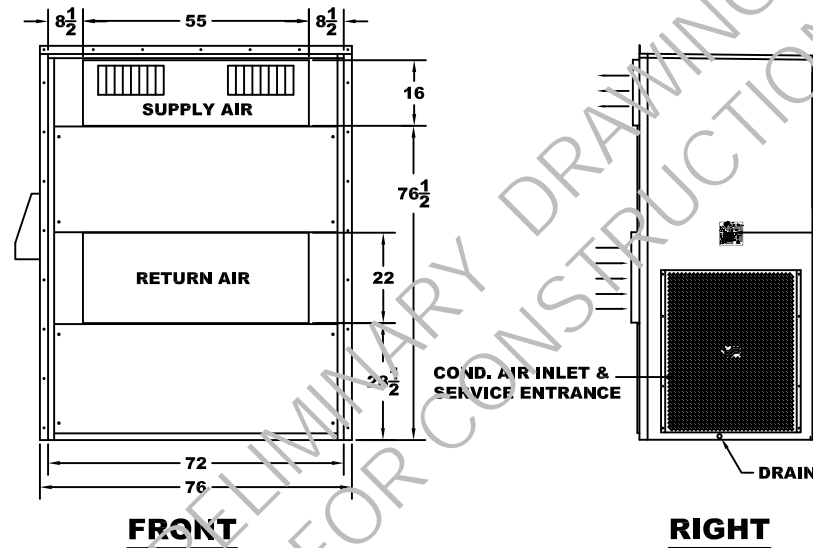
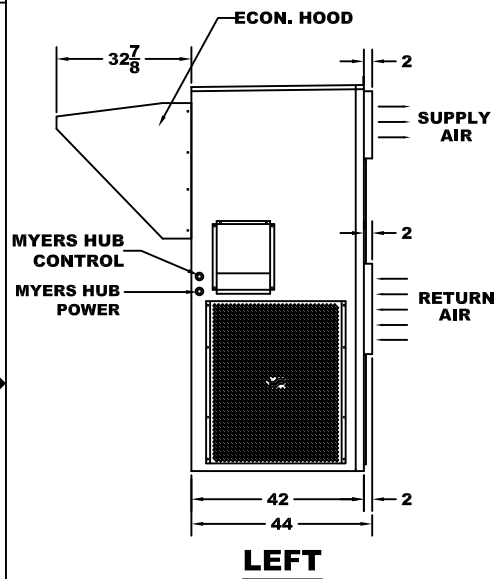
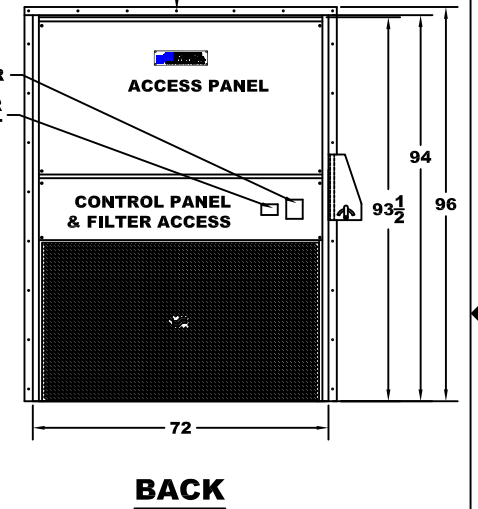
C

B

B

A

A

2" X 2" 16 GA. GALV.
FLASHING ON THREE SIDESAPPROX. UNIT WEIGHT 1980#
3' SERVICE AREA AROUND UNITDIMENSIONS MEASURED AT
THE TOP ARE 3/16" WIDER**DRAWING STATUS**7655 East 41ST Street Tulsa, OK 74145
U.S.A (918) 663-9321TITLE:
**GENERAL ARRANGEMENT
MODEL APK-180/240
STD. TOP HORIZ. DISCHARGE**

SCALE:	DRAWN BY:	P.O.#:
DATE: 02/14/12	CHK'D: DM	JOB#: APK-240
	REV:	DWG#: APK-240-01

THIS DOCUMENT CONTAINS CONFIDENTIAL PROPRIETARY INFORMATION
AND IS THE PROPERTY OF SPECIFIC SYSTEMS. IT SHALL NOT BE
REPRODUCED, USED, TRANSFERRED TO OTHER DOCUMENTS OR
DISCLOSED TO ANY UNAUTHORIZED PERSONS WITHOUT THE EXPRESS
WRITTEN PERMISSION OF SPECIFIC SYSTEMS. ALL RIGHT OF DESIGN
OR INVENTION ARE RESERVED TO SPECIFIC SYSTEMS.

4

3

2

1