

PRESSUREPAC – PURGE / PRESSURIZATION UNIT



Unit shown with available explosion proof control panel

PRODUCT APPLICATION

Specific Systems PressurePac units are engineered and proven to stand up to the rigors and harsh conditions of corrosive and hazardous environments. The PressurePac line is built to demanding industrial and military specifications and features corrosion resistant coatings and dual-redundancy for efficiency and to avoid downtime. While a room may have leaks due to age, poor construction, or imperfect sealing, PressurePac units, when combined with a stack package, can reduce the hazardous (classified) area rating within the room from Class I, Div. 1 or 2 to non-hazardous (non-classified). Specific Systems PressurePac Units are available in configurations up to 5700 cfm.

PRODUCT DESCRIPTION

PressurePac units are custom-engineered and built-to-order for each customer using a time-proven assembly method. Standard unit cabinets are manufactured of 16-gauge galvanized steel with all-welded construction. The completed cabinet is coated with a corrosion-fighting finish. Standard model consists of a motor and direct drive blowers. If auxiliary (stand-by) fans are needed, they can be provided along with the necessary controls to automatically purge and pressurize the building. The auxiliary fan serves secondarily as a redundant fan should a failure occur to the primary fan. Pressurization units can be built to seal off the area from outside air via a damper, and are wired for high level, low level, and fail using Form C contacts allowing remote notification of the alarm.

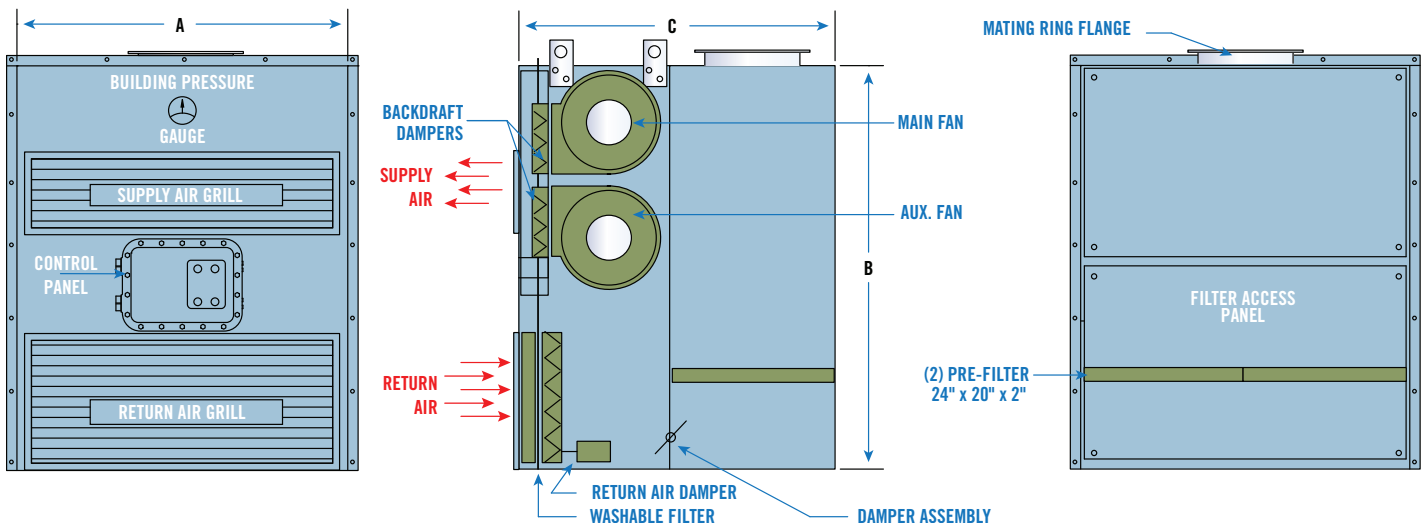
Unit Dimensions

Model	A	B	C
PPU 2000	39.50	66.00	48.00
PPU 4000	48.00	66.00	48.00
PPU 6000	60.00	94.88	48.00

AVAILABLE OPTIONS

Please contact Specific Systems about other available options.

- Explosion-Proofing / Spark-Proofing
- Chemical Filtration (ChemPac) Package
- Multiple Exterior Finishes, including Stainless Steel
- Corrosive and Combustible Gas Alarms
- Remote Control
- Stack Package
- Automatic Shut-Off



PRESSUREPAC – PURGE / PRESSURIZATION UNIT

PPU 2000 1750 CFM	Electric Power		230/240V 1 ϕ -60Hz	200V 1 ϕ -60Hz	460/480 3 ϕ -60Hz	230/240 3 ϕ -60Hz	415V 3 ϕ -50Hz	380V 3 ϕ -50Hz	200V 3 ϕ -50Hz	575V 3 ϕ -60Hz	
	Fan Motor FLA		8.7	8.5	2.5	5	2.3	2.6	4.9	2.1	
	Total Purge/Press.	without Auxiliary Fan		8.7	8.5	2.5	5	2.3	2.6	4.9	2.1
		with Auxiliary Fan		17.4	17	5	10	4.6	5.2	9.8	4.2
	Max Fuse Purge/Press (Amps)	without Auxiliary Fan		15	15	5	10	5	5	10	5
		with Auxiliary Fan		25	25	10	15	10	10	15	10
	Unit LRA* (Amps)	without Auxiliary Fan		52	51	15	30	14	16	30	13
with Auxiliary Fan			61	60	18	35	16	18	34	15	
Operating Range		216V-253V	180V-220V	432V-506V	216V-253V	373V-456V	342V-418V	180V-220V	517V-600V		

PPU 4000 3750 CFM	Electric Power		230/240V 1 ϕ -60Hz	200V 1 ϕ -60Hz	460/480 3 ϕ -60Hz	230/240 3 ϕ -60Hz	415V 3 ϕ -50Hz	380V 3 ϕ -50Hz	200V 3 ϕ -50Hz	575V 3 ϕ -60Hz	
	Fan Motor FLA		16.6	16.3	4.8	9.6	4.4	5.0	9.4	4.0	
	Total Purge/Press.	without Auxiliary Fan		16.6	16.3	4.8	9.6	4.4	5.0	9.4	4.0
		with Auxiliary Fan		33.2	32.6	9.6	19.2	8.8	10.0	18.8	8.0
	Max Fuse Purge/Press (Amps)	without Auxiliary Fan		25	25	10	15	10	15	15	10
		with Auxiliary Fan		50	50	15	25	15	25	25	15
	Unit LRA* (Amps)	without Auxiliary Fan		100	98	29	27	29	58	56	24
with Auxiliary Fan			116	114	34	32	34	67	66	28	
Operating Range		216V-253V	180V-220V	432V-506V	216V-253V	373V-456V	342V-418V	180V-220V	517V-600V		

PPU 6000 5700 CFM	Electric Power		415V 3 ϕ -50Hz	380V 3 ϕ -50Hz	200V 3 ϕ -50Hz	460/480V 3 ϕ -60Hz	230/240V 3 ϕ -60Hz	575V 3 ϕ -50Hz	
	Fan Motor FLA		7.8	8.6	16.3	8.3	16.6	6.9	
	Total Purge/Press.	without Auxiliary Fan		7.8	8.6	16.3	8.3	16.6	6.9
		with Auxiliary Fan		15.6	17.2	32.6	16.6	33.2	13.8
	Max Fuse Purge/Press (Amps)	without Auxiliary Fan		15	15	15	15	25	10
		with Auxiliary Fan		20	20	20	25	50	20
	Unit LRA* (Amps)	without Auxiliary Fan		47	44	48	50	100	42
with Auxiliary Fan			55	52	56	58	116	48	
Operating Range		432V-506V	216V-253V	373V-456V	342V-418V	180V-220V	517V-600V		



*LRA is calculated with one fan at lock rate and the remaining fan at full load amps