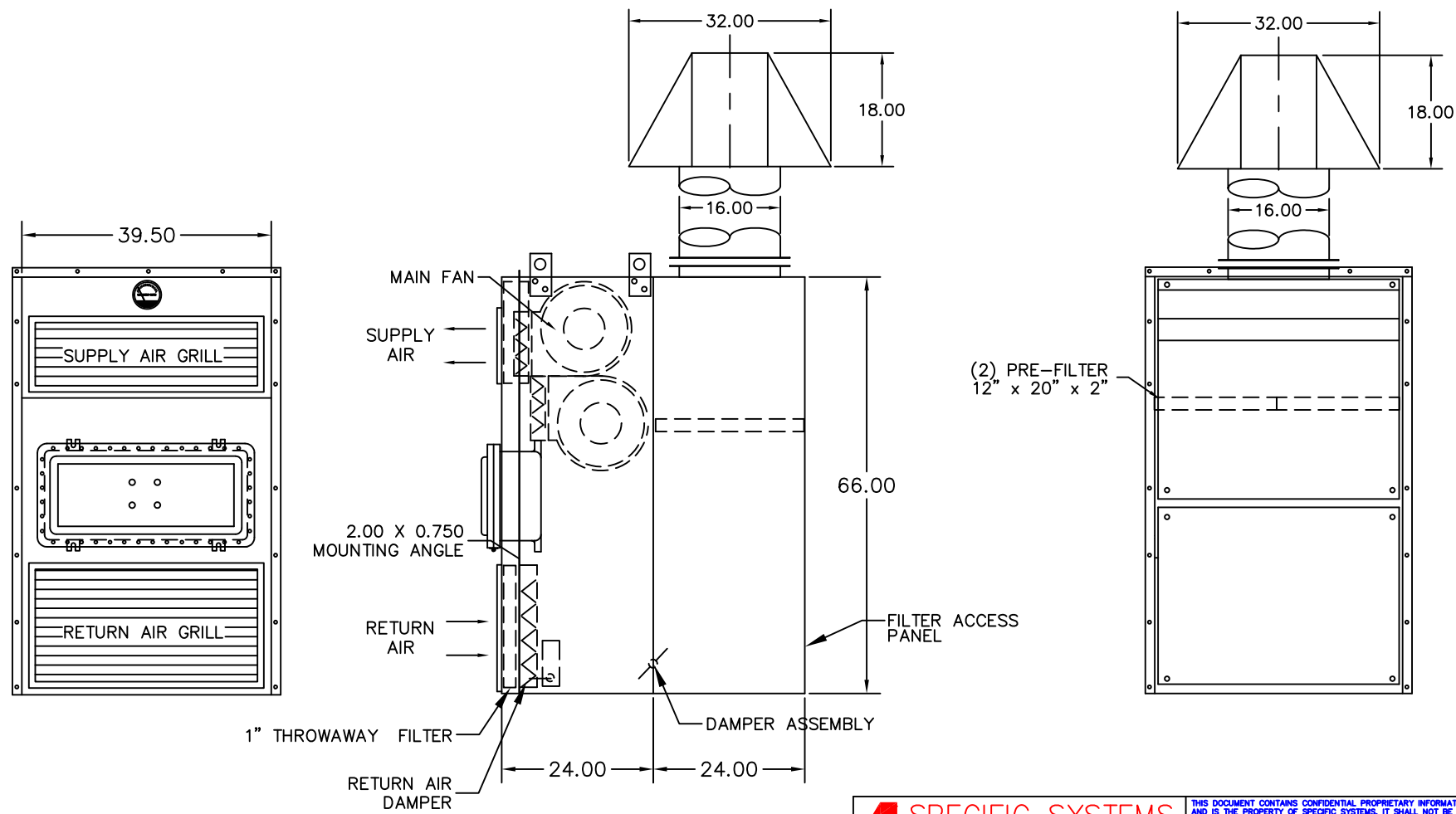



Unit shown with available explosion proof control panel

REVISIONS				
ZONE	REV	DESCRIPTION	DATE	APPROVED



ESTIMATED WEIGHT 800 LBS.

 SPECIFIC SYSTEMS 7655 E. 41ST, TULSA, OK, 74145 U.S.A. (918) 663-9321	THIS DOCUMENT CONTAINS CONFIDENTIAL PROPRIETARY INFORMATION AND IS THE PROPERTY OF SPECIFIC SYSTEMS. IT SHALL NOT BE REPRODUCED, USED, TRANSFERRED TO OTHER DOCUMENTS OR DISCLOSED TO ANY UNAUTHORIZED PERSONS WITHOUT THE EXPRESS WRITTEN PERMISSION OF SPECIFIC SYSTEMS. ALL RIGHT OF DESIGN OR INVENTION ARE RESERVED TO SPECIFIC SYSTEMS.		
	SIZE:	SCALE:	REV:
	P.O.#:	DRAWN BY: DM	CHK'D:
	DATE: 12/17/08	JOB#: PPU-2000	DWG#: PPU-06

TITLE:
GENERAL ARRANGEMENT
VERT. PPU-1500/2000