

4

3

2

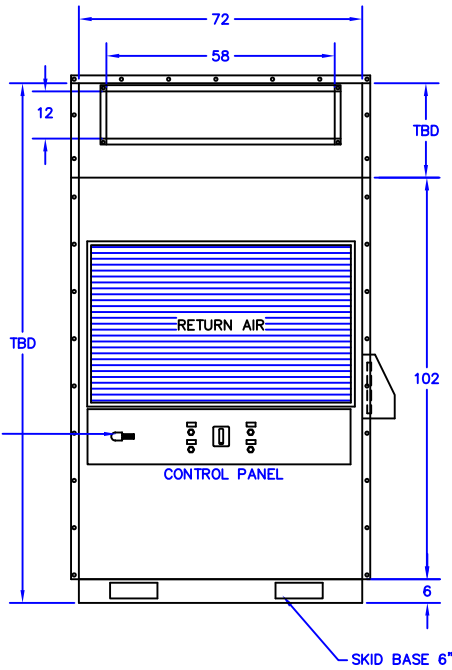
1

REVISIONS				
ZONE	REV	DESCRIPTION	DATE	APPROVED

COMPRESSOR (X2)
ZR19M3 SCROLL

CONDENSER FAN ASSY
(4) 24" FAN
(4) 2 HP 1140 RPM
MOTOR

CONDENSER PLAN VIEW



APPROX. UNIT WEIGHT 2300#

SUPPLY AIR
10 000 CFM
@ 1.5" S.P.

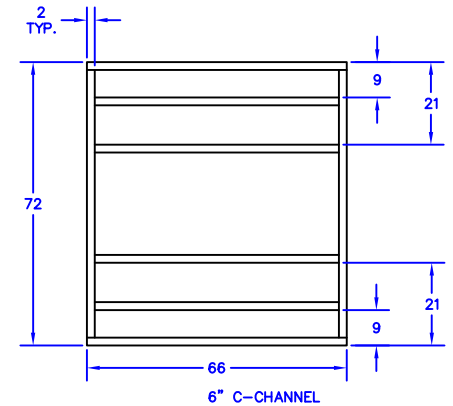
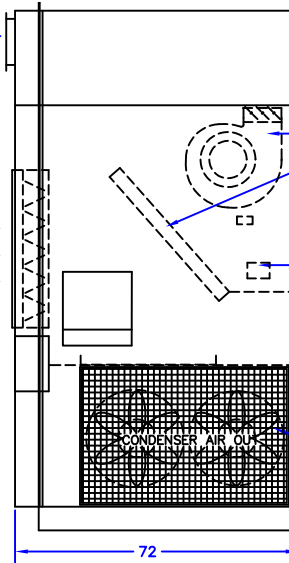
RETURN AIR

EVAPORATOR ASSEMBLY
DUAL 15-8 LAU BLOWERS
7 1/2 H.P. 1140 RPM MOTOR

EVAPORATOR COIL
66.5 X 42 4 ROW 10 FPI

40 KW HEATER
2 STAGE

CONDENSER COIL
52 X 34 4 ROW 12 FPI



SPECIFIC SYSTEMS
7655 E. 41ST, TULSA, OK, 74145
U.S.A. (918) 663-9321

THIS DOCUMENT CONTAINS CONFIDENTIAL PROPRIETARY INFORMATION AND IS THE PROPERTY OF SPECIFIC SYSTEMS. IT SHALL NOT BE REPRODUCED, USED, TRANSFERRED TO OTHER DOCUMENTS OR DISCLOSED TO ANY UNAUTHORIZED PERSONS WITHOUT THE EXPRESS WRITTEN PERMISSION OF SPECIFIC SYSTEMS. ALL RIGHT OF DESIGN OR INVENTION ARE RESERVED TO SPECIFIC SYSTEMS.

TITLE:
GENERAL ARRANGEMENT
MODEL 14300/14360
142000 SERIES

SIZE:	SCALE:	REV:
P.O.#:	DRAWN BY: DM	CHK'D:
DATE: 08/21/09	JOB#: 14000	DWG#: 14000-01

4

3

2

1