

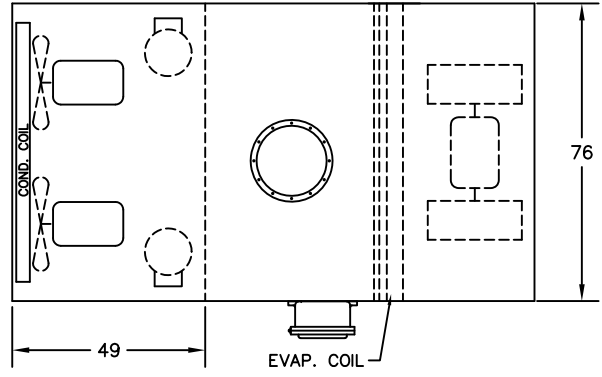
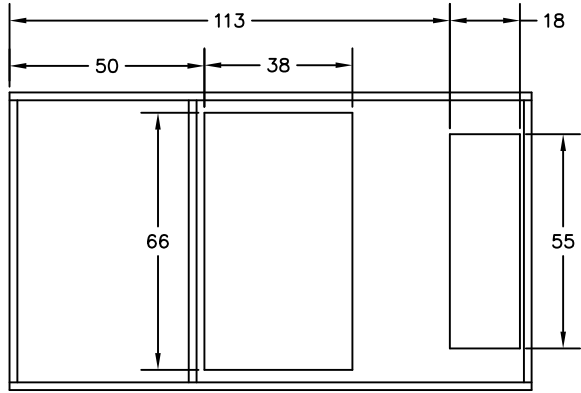
4

3

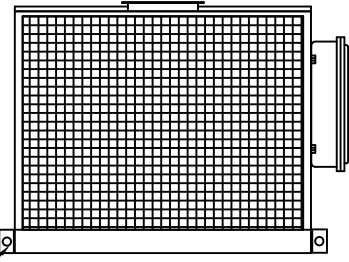
2

1

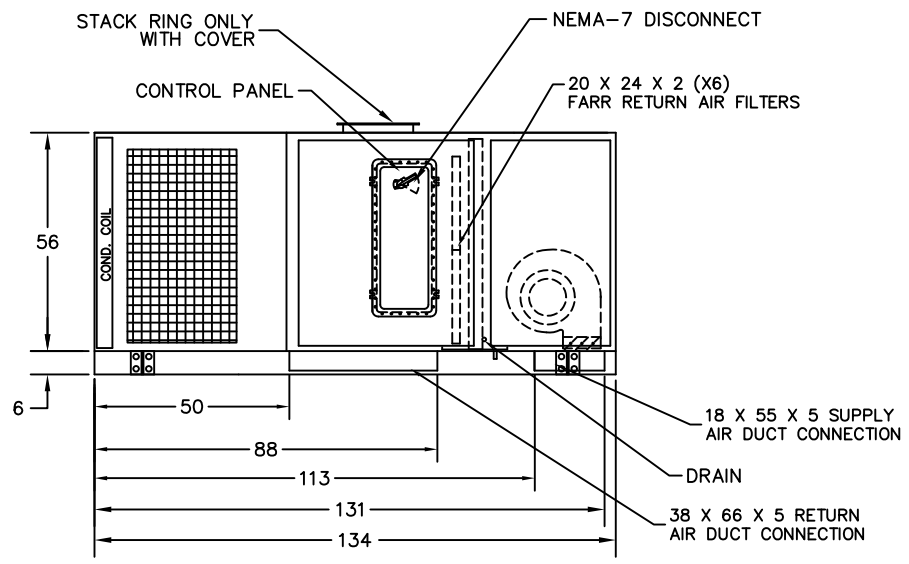
REVISIONS				
ZONE	REV	DESCRIPTION	DATE	APPROVED




Down blast configuration,
shown with optional stack/filter package



LIFTING LUGS
4 PLACES



 SPECIFIC SYSTEMS 7655 E. 41ST., TULSA, OK, 74145 U.S.A. (918) 663-9321	<small>THIS DOCUMENT CONTAINS CONFIDENTIAL PROPRIETARY INFORMATION AND IS THE PROPERTY OF SPECIFIC SYSTEMS. IT SHALL NOT BE REPRODUCED, USED, TRANSFERRED TO OTHER DOCUMENTS OR DISCLOSED TO ANY UNAUTHORIZED PERSONS WITHOUT THE EXPRESS WRITTEN PERMISSION OF SPECIFIC SYSTEMS. ALL RIGHT OF DESIGN OR INVENTION ARE RESERVED TO SPECIFIC SYSTEMS.</small>			
	TITLE:	SIZE:	SCALE:	REV:
	GENERAL ARRANGEMENT 14-300 SERIES	P.O.#:	DRAWN BY: DM	CHK'D:
		DATE:	JOB#:	DWG#:

4

3

2

1

D

C

B

A

D

C

B

A