

4

3

2

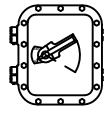
1

REVISIONS

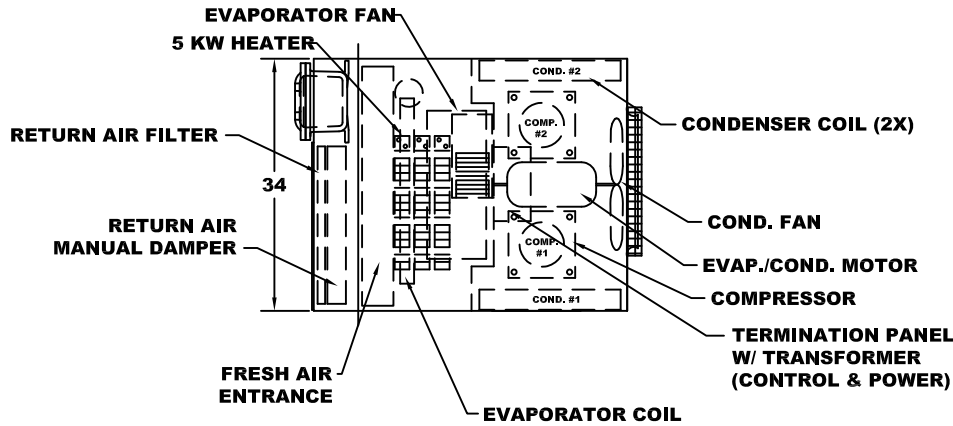
ZONE	REV.	DESCRIPTION	DATE	APPR.

D

D

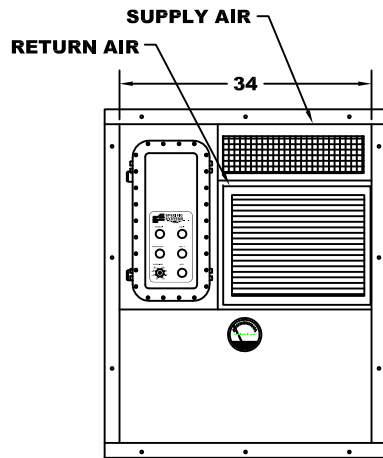


NEMA-7 DISCONNECT
(WILL SHIP LOOSE)



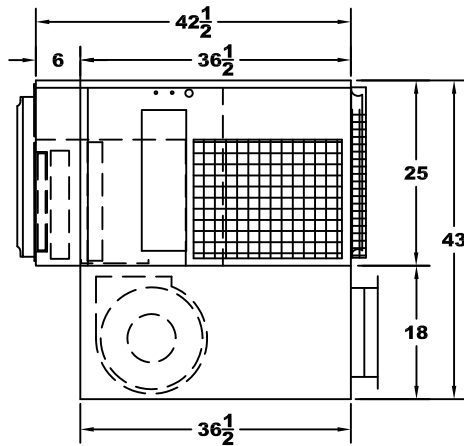
C

C



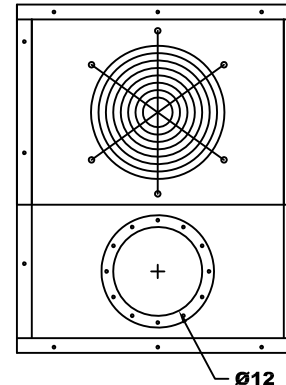
B

B



A

A



DRAWING STATUS



7655 East 41st Street Tulsa, OK 74145
U.S.A (918) 663-9321

TITLE:
**GENERAL ARRANGEMENT
MODEL 60 SERIES**

SCALE:	DRAWN BY: DM	P.O.#:
DATE: 02/11/01	CHK'D:	JOB#: 60 SERIES
	REV:	DWG#: 60-01

THIS DOCUMENT CONTAINS CONFIDENTIAL PROPRIETARY INFORMATION AND IS THE PROPERTY OF SPECIFIC SYSTEMS. IT SHALL NOT BE REPRODUCED, USED, TRANSFERRED TO OTHER DOCUMENTS OR DISCLOSED TO ANY UNAUTHORIZED PERSONS WITHOUT THE EXPRESS WRITTEN PERMISSION OF SPECIFIC SYSTEMS. ALL RIGHT OF DESIGN OR INVENTION ARE RESERVED TO SPECIFIC SYSTEMS.

4

3

2

1

4

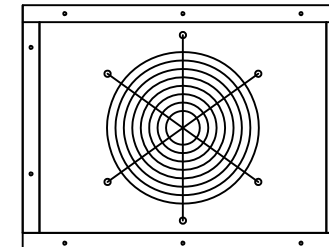
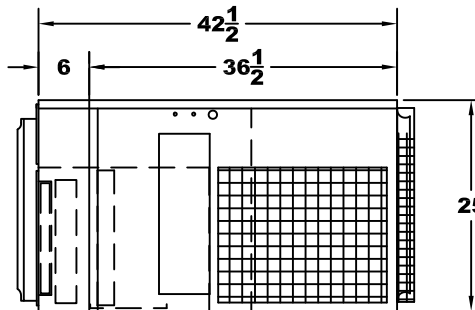
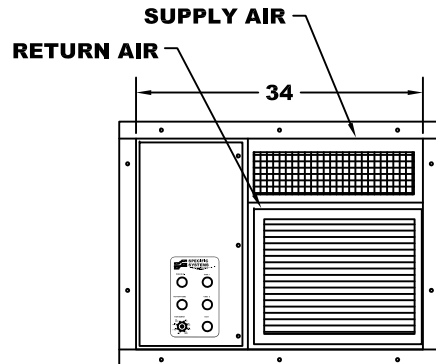
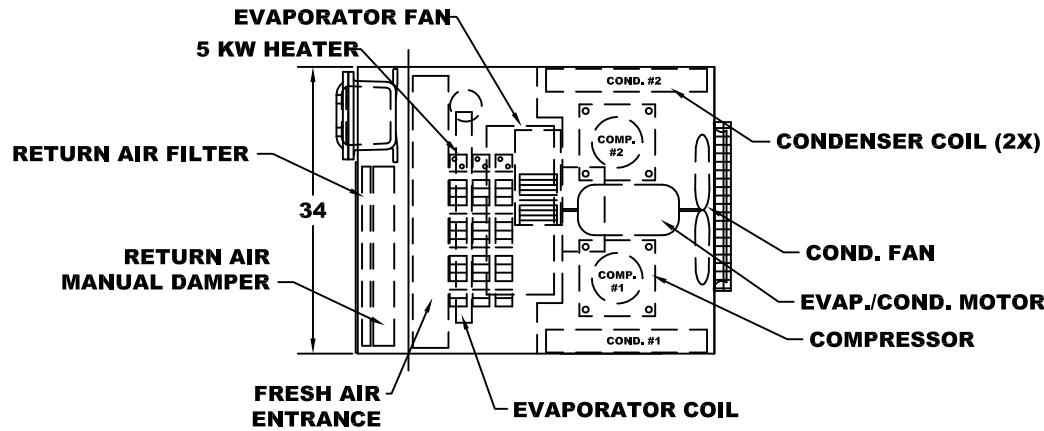
3

2

1

REVISIONS

ZONE	REV.	DESCRIPTION	DATE	APPR.



DRAWING STATUS



TITLE:
GENERAL ARRANGEMENT
MODEL 62/63 SERIES

SCALE:	DRAWN BY: DM	P.O.#:
DATE: 02/11/01	CHK'D:	JOB#: 60 SERIES
	REV:	DWG#: 60-01A

THIS DOCUMENT CONTAINS CONFIDENTIAL PROPRIETARY INFORMATION AND IS THE PROPERTY OF SPECIFIC SYSTEMS. IT SHALL NOT BE REPRODUCED, USED, TRANSFERRED TO OTHER DOCUMENTS OR DISCLOSED TO ANY UNAUTHORIZED PERSONS WITHOUT THE EXPRESS WRITTEN PERMISSION OF SPECIFIC SYSTEMS. ALL RIGHT OF DESIGN OR INVENTION ARE RESERVED TO SPECIFIC SYSTEMS.

4

3

2

1

D

D

C

C

B

B

A

A