

4

3

2

1

REVISIONS				
ZONE	REV	DESCRIPTION	DATE	APPROVED

D

D

C

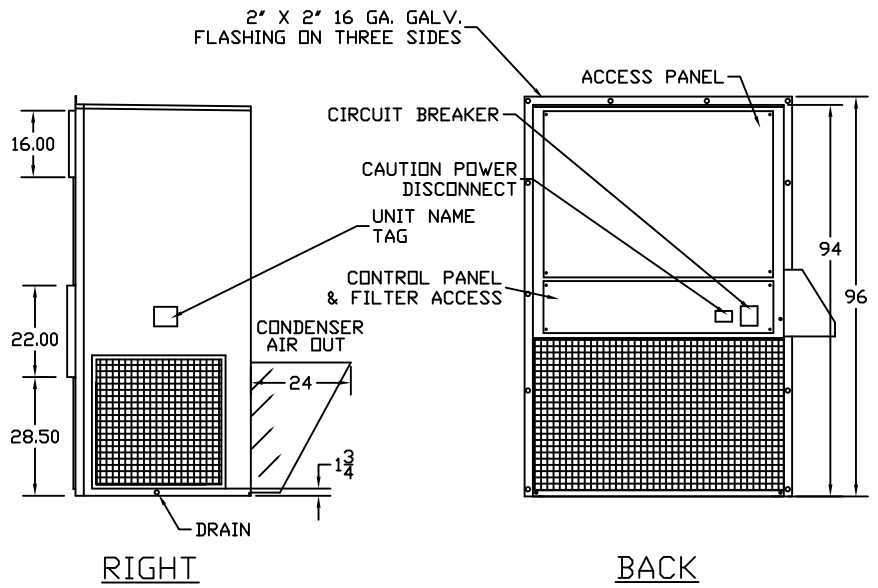
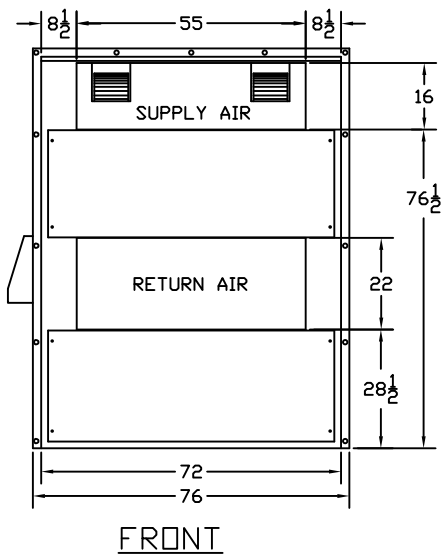
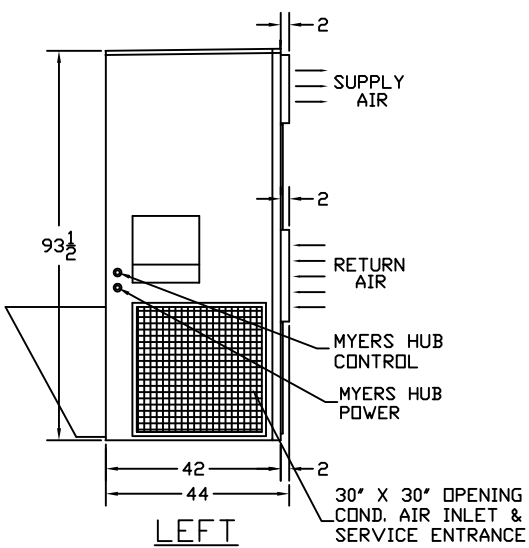
C

B


B

A

A



APPROX. UNIT WEIGHT 1980#
3' SERVICE AREA AROUND UNIT

 SPECIFIC SYSTEMS 7655 E. 41ST. TULSA, OK. 74145 U.S.A. (918) 663-9321	<small>THIS DOCUMENT CONTAINS CONFIDENTIAL, PROPRIETARY INFORMATION AND IS THE PROPERTY OF SPECIFIC SYSTEMS. IT SHALL NOT BE REPRODUCED, USED, TRANSFERRED TO OTHER DOCUMENTS OR DISCLOSED TO ANY UNAUTHORIZED PERSONS WITHOUT THE EXPRESS WRITTEN PERMISSION OF SPECIFIC SYSTEMS. ALL RIGHT OF DESIGN OR INVENTION ARE RESERVED TO SPECIFIC SYSTEMS.</small>			
	TITLE:	SIZE:	SCALE:	
	GENERAL ARRANGEMENT MODEL APK 180/240	P.O.#:	DRAWN BY: DM	REV: 0 CHK'D:
		DATE: 04/06/2006	JOB#: APK-240	DWG#: APK-240-01

DIMENSIONS MEASURED AT THE TOP ARE 3/16" WIDER

4

3

2

1